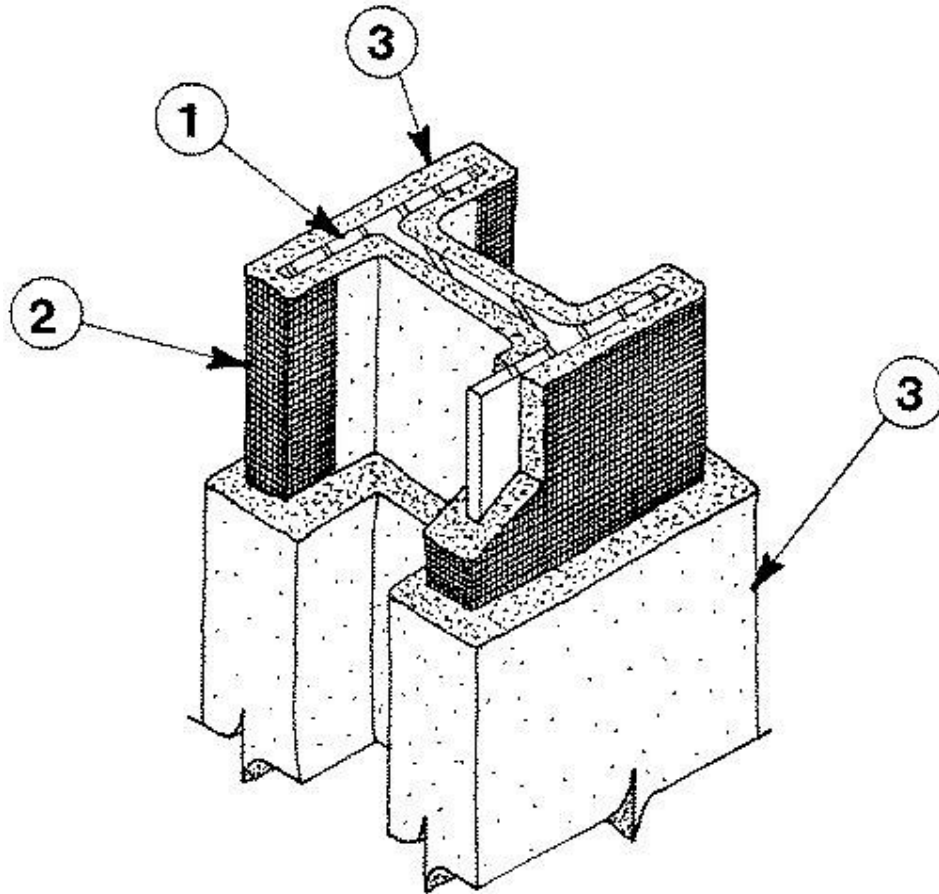


# Fire Resistance Ratings - ANSI/UL 263

Design No. X622  
November 29, 1999

Rating — 1 Hr.



1. **Steel Column** — Min. size W10 x 49. The column surfaces must be free of dirt, loose scale and oil then primed with an epoxy primer.

2. **Glass Fiber Mesh** — 11. in. wide, weighing 16.5 g sq. ft. embedded at approx. mid-depth of the Type 440 mastic coating (Item 3). Two pieces used on each flange face and overlapped at center of flange face.

3. **Mastic Coating\*** — Two component spray materials applied in more than one coat to a min. thickness of 0.26 in. Mastic coating to be applied as described in the manufacturer's application instructions.

**THERMAL SCIENCE INC** — Type 440 Subliming Mastic Coating. Investigated for Exterior Use.

**TERMO INDUSTRIAS S A DE C V** — Type Subli-Tech 44. Investigated for Exterior Use.

\*Bearing the UL Classification Mark