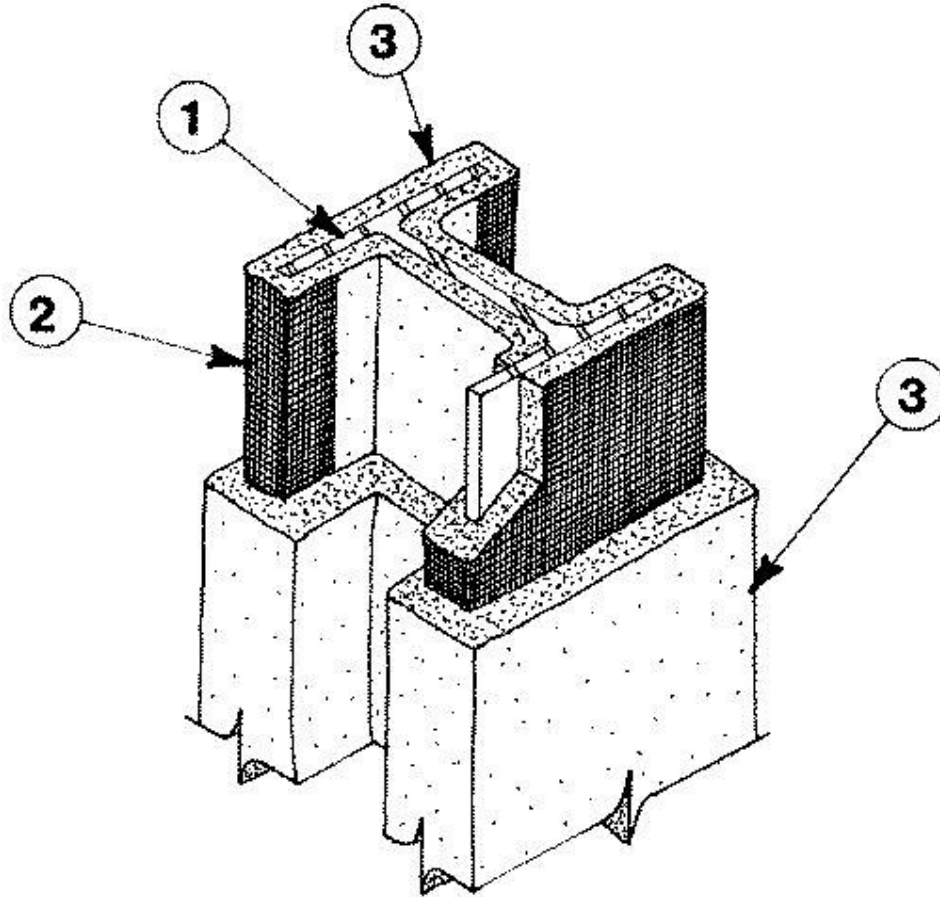


Fire Resistance Ratings - ANSI/UL1709

Design No. XR611
December 16, 1995

Rating — 2 Hr.



1. **Steel Column** Min size W10 x 49. The column surfaces must be free of dirt, loose scale and oil, then primed with an epoxy primer.

2. **Glass Fiber Mesh** 11 in. wide, weighing 16.5 gm per sq ft, imbedded at approximately mid-depth of Type 440 mastic coating (Item 3). Two pieces used on each flange face and overlapped at center of flange face.

3. **Mastic Coating*** Two component spray materials applied in more than one coat to a min thickness of 0.67 in. Mastic coating to be applied as described in the manufacturer's application instructions.

THERMAL SCIENCE INC — Type 440 subliming mastic coating.

TERMO INDUSTRIAS S A DE C V — Type Subli-Tech 44.

*Bearing the UL Classification Marking