



Design No. X643
BXUV.X643
Fire-resistance Ratings - ANSI/UL 263

[Page Bottom](#)

Design/System/Construction/Assembly Usage Disclaimer

- Authorities Having Jurisdiction should be consulted in all cases as to the particular requirements covering the installation and use of UL Certified products, equipment, system, devices, and materials.
 - Authorities Having Jurisdiction should be consulted before construction.
 - Fire resistance assemblies and products are developed by the design submitter and have been investigated by UL for compliance with applicable requirements. The published information cannot always address every construction nuance encountered in the field.
 - When field issues arise, it is recommended the first contact for assistance be the technical service staff provided by the product manufacturer noted for the design. Users of fire resistance assemblies are advised to consult the general Guide Information for each product category and each group of assemblies. The Guide Information includes specifics concerning alternate materials and alternate methods of construction.
 - Only products which bear UL's Mark are considered Certified.
-

BXUV - Fire Resistance Ratings - ANSI/UL 263

BXUV7 - Fire Resistance Ratings - CAN/ULC-S101 Certified for Canada

[See General Information for Fire-resistance Ratings - ANSI/UL 263](#)

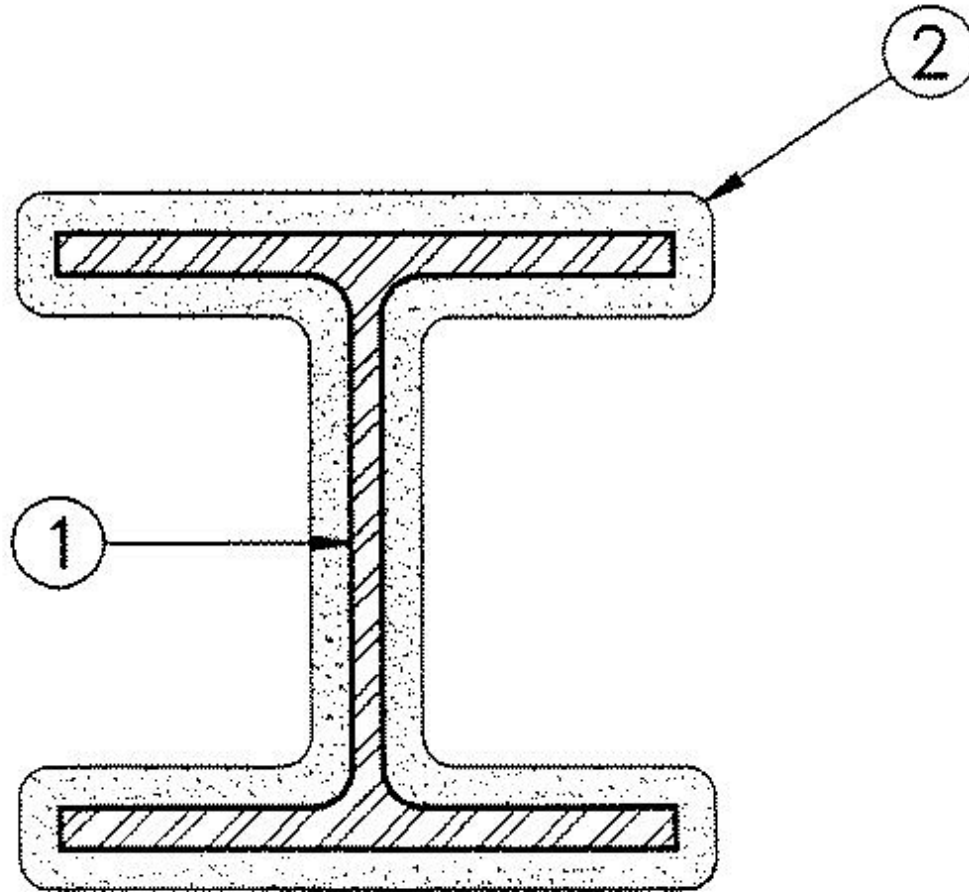
[See General Information for Fire Resistance Ratings - CAN/ULC-S101 Certified for Canada](#)

Design No. X643

October 29, 2010

Ratings- 1-1/2, 2 Hr (See Item 2)

*** Indicates such products shall bear the UL or cUL Certification Mark for jurisdictions employing the UL or cUL Certification (such as Canada), respectively.**



- 1. **Steel Column** — Wide flange steel columns with the minimum sizes shown in the table below. Columns shall be free of dirt, loose scale and oil. Column shall be primed with metal alkyd primer.
- 2. **Mastic and Intumescent Coating*** — Coating applied in accordance with manufacturer's instructions to the minimum dry film thickness shown below:

	Column	Column	Required Min
Rating, hr	Description, In.	W/D	Thickness, In.
1-1/2	W8x31	0.66	0.213
2	W12x120	1.64	0.095

A/D FIRE PROTECTION SYSTEMS INC — Types "A/D FIREFILM II" or "A/D FIREFILM III" or "A/D FIREFILM III C" investigated for Interior Conditioned Space Purpose and Interior General Purpose.

*** Indicates such products shall bear the UL or cUL Certification Mark for jurisdictions employing the UL or cUL Certification (such as Canada), respectively.**

Last Updated on 2010-10-29

[Questions?](#)

[Print this page](#)

[Terms of Use](#)

[Page Top](#)

© 2017 UL LLC

The appearance of a company's name or product in this database does not in itself assure that products so identified have been manufactured under UL's Follow-Up Service. Only those products bearing the UL Mark should be considered to be Certified and covered under UL's Follow-Up Service. Always look for the Mark on the product.

UL permits the reproduction of the material contained in the Online Certification Directory subject to the following conditions: 1. The Guide Information, Assemblies, Constructions, Designs, Systems, and/or Certifications (files) must be presented in their entirety and in a non-misleading manner, without any manipulation of the data (or drawings). 2. The statement "Reprinted from the Online Certifications Directory with permission from UL" must appear adjacent to the extracted material. In addition, the reprinted material must include a copyright notice in the following format: "© 2017 UL LLC".