

FIRE-RESISTANCE DESIGN

Assembly Usage Disclaimer

BXUV - Fire Resistance Ratings - ANSI/UL 263 Certified for United States

BXUV7 - Fire Resistance Ratings - CAN/ULC-S101 Certified for Canada

See General Information for Fire-resistance Ratings - ANSI/UL 263 Certified for United States Design Criteria and Allowable Variances

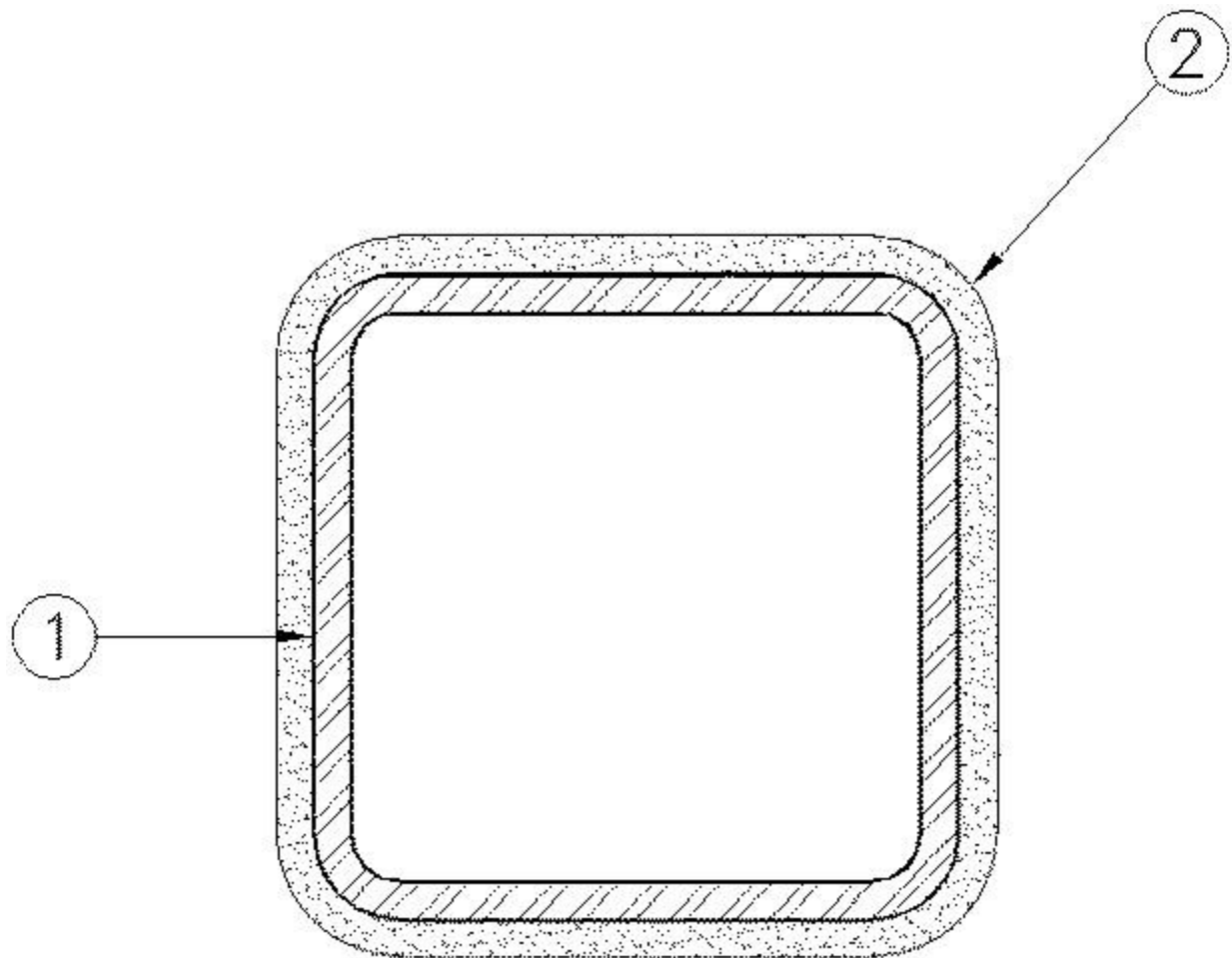
See General Information for Fire Resistance Ratings - CAN/ULC-S101 Certified for Canada Design Criteria and Allowable Variances

Design No. X672

October 29, 2010

Ratings - 3/4, 1, 1-1/2, 2 and 3 Hr (see Item 2)

*** Indicates such products shall bear the UL or cUL Certification Mark for jurisdictions employing the UL or cUL Certification (such as Canada), respectively.**



1. **Steel Column** — Square steel tube columns with the minimum sizes shown in the table below. Columns shall be free of dirt, loose scale and oil. Column shall be primed with metal alkyd primer.

2. **Mastic and Intumescent Coating*** — Coating applied in accordance with manufacturers instructions to the minimum dry film thickness shown below:

Column Size	Column A/P	3/4 Hr Min Thickness	1Hr Min Thickness	1-1/2 Hr Min Thickness	2 Hr Min Thickness	3 Hr Min Thickness
		In.	In.	In.	In.	In.
ST 10 x 10 x 1/2 in.	0.46	0.035	0.045	0.094	0.186	0.324

A/D FIRE PROTECTION SYSTEMS INC — Type "A/D FIREFILM III" or "A/D FIREFILM III C" investigated for Interior Conditioned Space Purpose and Interior General Purpose.

* Indicates such products shall bear the UL or cUL Certification Mark for jurisdictions employing the UL or cUL Certification (such as Canada), respectively.

Last Updated on 2010-10-29

Design/System/Construction/Assembly Usage Disclaimer

- Authorities Having Jurisdiction should be consulted in all cases as to the particular requirements covering the installation and use of UL Certified products, equipment, system, devices, and materials.
- Authorities Having Jurisdiction should be consulted before construction.
- Fire resistance assemblies and products are developed by the design submitter and have been investigated by UL for compliance with applicable requirements. The published information cannot always address every construction nuance encountered in the field.
- When field issues arise, it is recommended the first contact for assistance be the technical service staff provided by the product manufacturer noted for the design. Users of fire resistance assemblies are advised to consult the general Guide Information for each product category and each group of assemblies. The Guide Information includes specifics concerning alternate materials and alternate methods of construction.
- Only products which bear UL's Mark are considered Certified.

The appearance of a company's name or product in this database does not in itself assure that products so identified have been manufactured under UL's Follow-Up Service. Only those products bearing the UL Mark should be considered to be Certified and covered under UL's Follow-Up Service. Always look for the Mark on the product.

UL permits the reproduction of the material contained in the Online Certification Directory subject to the following conditions: 1. The Guide Information, Assemblies, Constructions, Designs, Systems, and/or Certifications (files) must be presented in their entirety and in a non-misleading manner, without any manipulation of the data (or drawings). 2. The statement "Reprinted from the Online Certifications Directory with permission from UL" must appear adjacent to the extracted material. In addition, the reprinted material must include a copyright notice in the following format: "© 2019 UL LLC".

UL and the UL logo are trademarks of UL LLC © 2019 All Rights Reserved.